



納入仕様書

SPECIFICATION FOR APPROVAL

客戶承認合格章 APPROVED BY CUSTOMER

CUSTOMER: 普 鈦

MODULE FAMILY: I.T.E. POWER SUPPLY (PLUG-IN TYPE)

PART NO : _____ REVISION : B

MODEL NO. : AM-0750500V SAFETY : GS/CE

DESIGN NO. : YDA-9001-R DATE : AUG,21,2007

Prepared by	Reviewed by	Approved by
王建龍	劉群芳	戴禎言

總公司：有電電機股份有限公司
Headquarters : Global Yeou Diann Electric Industrial Co., Ltd.
地址：高雄市前鎮區新都路 30 號二樓

Address : 2F, No. 30, Sindu Rd., Cianjhen District, Kaohsiung 806, Taiwan R.O.C.

Tel : 886-7-8132557

Web Site : <http://www.amigoelec.com>

Fax : 886-7-8132567~8

e-mail : sales@amigoelec.com

■ 工廠：中山市三鄉友電電機廠

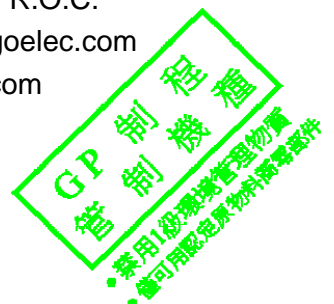
Factory : Yeou Diann Electric Industrial Factory Zhongshan Sanxiang

地址：廣東省中山市三鄉鎮雍陌村

Address : Yun-Mao-Tsun, Sanxiang, Zhongshan City, Guangdong, China

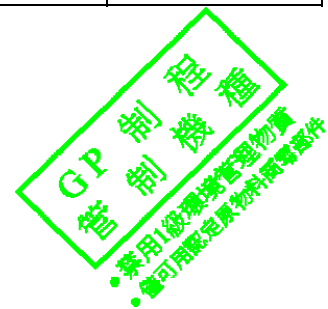
Tel : 86-760-6691330~1 / 6336330~1

Fax : 86-760-6685950



Specification Index

Item	Documentation	Page	
1.	Sample revisions (樣品變更履歷資料)	3	
2.	General specification (各項規格特性資料)	4	
3.	Circuit schematic drawing (線路圖)	5	
4.	Housing dimension and material approved for 94V-1 doc. (外觀尺寸圖, case 材質 UL 94V-1 證明)	6-7	
5.	BOM (材料表) & Parts location drawing (零件位置圖)	8-10	
6.	Nameplate design drawing (銘板圖)	11	
7.	Packing information (包裝資料)	12	
8.	Test report (測試報告) Including: <ul style="list-style-type: none"> ● Static input test ● Static output current test ● Frequency change test ● MTBF data ● Electrical test report ● Electrical test data ● Mechanical test data ● Endurance test data 	13-18	
9.	Cable dimension and material approval (輸出電源線尺寸圖, cable 材質證明)	19-29	
10.	Certification approve sheet	Status	
	UL/cUL or CSA Certificate	N/A	
	GS Certificate	OK	30
	CB & BS requirement Certificate	N/A	
	EMC test certificate	N/A	
	C-tick & Australia electrical certificate	N/A	
	B Mark (PCBC)	N/A	
CCC Certificate	N/A		



REVISIONS

CUSTOMER		普 鈦	DESIGNED NO.	YDA-9001-R
CUSTOMER P/N			MODEL NO.	AM-0750500V
REV.	REVISER	DATE	DESCRIPTION	
A	王建龍	070730	Creating new drawing SPEC.	
B	王建龍	070821	Changing the Capacitor Temperature from 85°C to 105°C	



Global Yeou Diann Electric Industrial Co., Ltd.

ELECTRICAL REQUIREMENTS

DESIGNED NO.	YDA-9001-R	DATE	070821	REVISION	B
--------------	------------	------	--------	----------	---

1. SCOPE: This specifications is suitable to the AC adaptor of model AM-0750500V designed to EI-41 wall mount

2. APPLICABLE STANDARDS: EN 60950-1

3. AGENCY SAFETY: GS, CE,

4. SURFACE , STRUCTURE:

- 4-1 Surface: Damage, rusting , foam , cracks are not permitted.
- 4-2 Appearance: Dimensions and express: As attached drawing.

5. ELECTRICAL CHARACTERISTICS:

- 5-1 Primary rated voltage & line frequency: 230 VAC 50 Hz 120 mA
- 5-2 Secondary output ratings:

Input voltage	Output voltage	Rated current	No load voltage
230 VAC 50 Hz	DC 7.5V +/- 5%	500 mA	DC 13.5V Max.

- 5-3 Exciting current (Io): 70 mA Max. at input 230 VAC 50 Hz without secondary load.
- 5-4 Primary rated current (Ip): 80 mA Max. at input 230 VAC 50 Hz with output current 500 mA.
- 5-5 Ripple voltage: 1000 mV (RMS) Max. at input 230 VAC 50 Hz with output current 500 mA.
- 5-6 Dielectric strength: The specified voltage shall be applied to each item as following without breakdown.
 - (1) Primary to Secondary & Core: 3.0 KV 60 Hz for one minute.
 - (2) Secondary to Core: 1.5 KV 60 Hz for one minute. Cut-off current: 1 mA Max.

At an alternative potentials, increasing 20% of voltage may be applied for one second in mass production.
- 5-7 Insulation test: 500 VDC 100 MΩ Min. between input plug and output plug and case.
- 5-8 Core loss: Input 230 VAC 50 Hz without secondary load, watts loss shall be under 3.0 W.
- 5-9 Temperature rise: Input 230 VAC 50 Hz with secondary load 500 mA, shall not exceed 40 deg on case surface (By thermometer). 75 deg for primary winding (By resistance method). At ambient temp. 40°C.

6. MECHANICAL CHARACTERISTICS:

- 6-1 Strain relief test: A pull forces of 20 lb to output cord for one minute, results shall be without disconnection of cord or loose of bush is found.
- 6-2 AC blade pull test: Pull AC blades by 35 lb for one minute without pull out from the case.
- 6-3 Cord bending test: The unit loaded a weight and swung the case to cord from left to right following specifications as below, the cord shall not be disconnected.

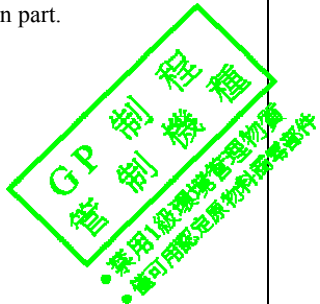
Weight	Angle (θ)	Speed	Cycle required
500 g	60 degrees	30 times / minute	300 cycles Min.

6-4 Drop test: Products shall be dropped from a height of 1000+/-10 mm onto a wood surface, it's thickness is 5.5 cm, free fall test, 3 times, after shall functions normally and the case shall not open in safety concern part.

7. TEMPERATURE RANGE:

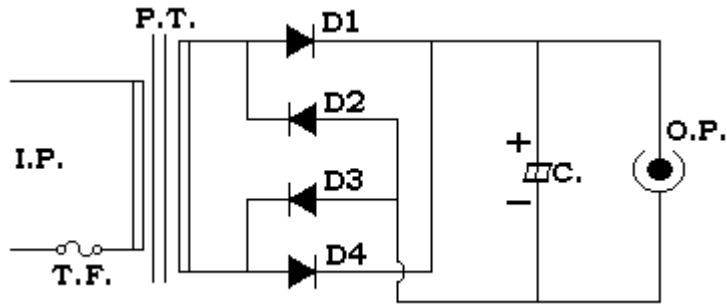
- 7-1 Normal operating temperature at: -10°C ----- +40°C
- 7-2 Storage temperature at: -20°C ----- +70°C
- 7-3 Normal operating humidity at: 30% ----- 85% R.H.

8. NET WEIGHT (APPROX.): 220 g.



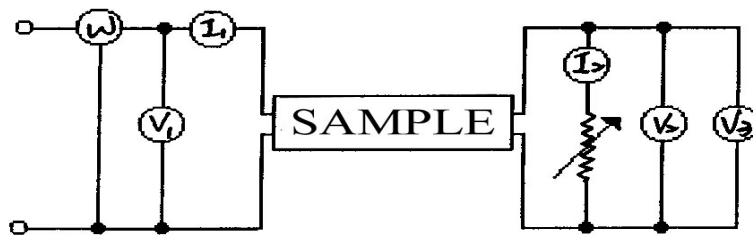
Global Yeou Diann Electric Industrial Co., Ltd.	Prepared by	Reviewed by	Approved by
	王建龍	劉群芳	戴禎言

CIRCUIT DIAGRAM



SYMBOL	PARTS NAME	SPECIFICATION
I.P.	Input Plug	European type (EN50075)
P.T.	Power Transformer	EI-41
T.F.	Thermal Fuse	115°C 250V 1A or 2A
D1 ~ D4	Diodes	1N4002 (1.0A 100V) or better
C	Capacitor	1000uf / 16V 105°C
O.P.	DC Plug	2.1×5.5×9.5 right angle plug (音叉卡溝)

TEST CIRCUIT



W: wattmeter (class 0.5)
 V1: AC voltmeter (class 0.5)
 I1: AC ammeter (class 0.5)
 V2: DC voltmeter (class 0.5)
 I2: DC ammeter (class 0.5)
 V3: AC rms voltmeter (for ripple test) (class 0.5)
 (not apply for AC output)

Note:

Conditions for making measurement and test are follow:
 Ambient temperature: 15°C to 35°C
 Relative humidity: 25% to 85%
 Air pressure: 86kPa to 106kPa

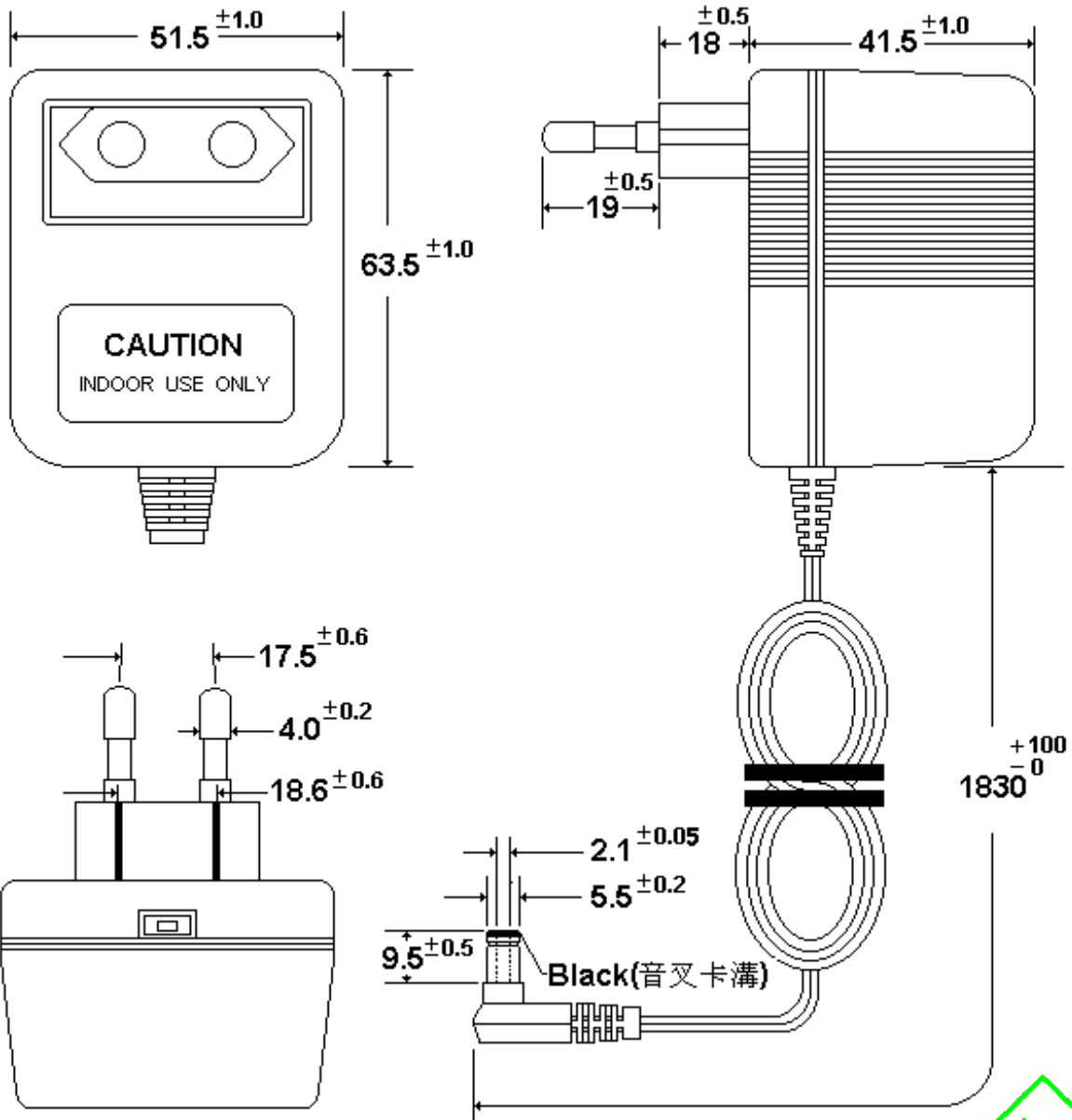
If there is any doubt about the result, measurements shall be made within the following limits:
 Ambient temperature: 25°C +/- 2°C
 Relative humidity: 60% to 70%
 Air pressure: 86kPa to 106kPa

GP 制程
 管制機櫃
 專用1級標準管理物事
 儘可用於定製及檢測等條件

DESIGNED NO.	YDA-9001-R				
DRAWING NO.	----				
COLOR	----	Changing the Capacitor Temperature from 85°C to 105°C	070821	B	王建龍
MATERIAL	----	Creating new drawing SPEC.	070730	A	王建龍
UNIT	----	DESCRIPTION	DATE	REV.	REVISER

Global Yeou Diann Electric Industrial Co., Ltd.	Prepared by	Reviewed by	Approved by
	王建龍	劉群芳	戴禎言

MECHANICAL REQUIREMENTS



GP 制程權
物
 禁閉工廠現場管理物資
 許可開工起見物資請專認件

DESIGNED NO.	YDA-9001-R				
DRAWING NO.	----				
COLOR	Black	Update specification's revision.	070821	B	王建龍
MATERIAL	Noryl	Creating new drawing SPEC.	070730	A	王建龍
UNIT	mm	DESCRIPTION	DATE	REV.	REVISER
Global Yeou Diann Electric Industrial Co., Ltd.			Prepared by	Reviewed by	Approved by
			王建龍	劉群芳	戴禎言

Housing material approval

FROM : LUNG JUNG

PHONE NO. : 87557800101

AUG. 01 2004 10:34PM P4

QMF22 Component - Plastics

Friday, January 12, 2001

E121562

SE PLASTICS AMERICAS

1 PLASTICS AVE PITTSFIELD MA 01201

Material Designation: SE100(f1)(b), SE100X(GG)(f1)(b), SE100HX(f1)(b), PX5651(f1)(b), PX5654(f1)(b), KEN101(f1)(b)

Product Description: Polyphenylene Oxide (PPHOX), designated "Noryl" furnished as pellets.

Color	Min. Thick. (mm)	Flame Class	HWI	HAI	RTI Elec	RTI Imp	RTI Str	IEC GWIT	IEC GWFI
A	1.5	V-1	2	0	95	50	95	-	-
	2.3	V-1	-	-	95	80	95	-	-
	6.0	V-0	1	0	95	80	95	-	-
CTI: 1			HVTR: 4		D495: 7		IEC 8P: -		

(b) ASTM E-162 Radiant Panel All color 2.0-3.2mm RP150, White color 1.9-2.2mm RP50

(f1) Suitable for outdoor use with respect to exposure to Ultraviolet Light, Water Exposure and Immersion in accordance with UL 746C.

(GG) Denotes a global grade as covered in Recognized Component File E161759.

NC Material designation may be followed by a color nomenclature consisting of either an alpha/numeric or numeric/alpha combination.

Report Date: 09/22/1972

Underwriters Laboratories Inc®

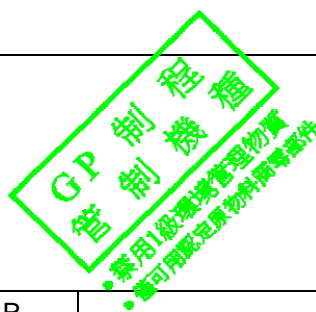
954989001


UL94 small-scale test data does not pertain to building materials, furnishings and related contents. UL 94 small-scale test data is intended solely for determining the flammability of plastic materials used in components and parts of end-product devices and appliances, where the acceptability of the combination is determined by ULI.



MATERIAL LIST

NO.	COMPONENTS	SPECIFICATION	MANUFACTURER	APPROVAL
1	Bobbin	UL Recognized Plastic 94V-2 130°C Nylon 66 Zytel 101L, 0.74mm Min	E I Dupont de nemours & Co., Ltd	E41938
2	Thermal fuse	F2 (115°C 1A 250V) P2-1A-F (115°C 1A 250V) A2-F (115°C 2A 250V)	Xiamen Set electronics Aupo electronics Ltd Aupo electronics Ltd	VDE: 40004041 VDE: 68944 VDE: 127818
3	Primary wrap	Mylar tape t=0.025mm 2 turns DTS-204F 130°C P2XX 130°C Press board t=0.25mm 1 sheet Series thickness Series thickness	Duck Sung Tape Co., Ltd Qun Yi Tape(Dong Guan)Co., Ltd. Sansan electronic factory XinHuaHui Paper Insulation.	E105147 E81174
4	Secondary wrap	Mylar tape t=0.025mm 2 turns DTS-204F 130°C P2XX 130°C	Duck Sung Tape Co., Ltd Qun Yi Tape(Dong Guan)Co., Ltd.	E105147 E81174
5	Primary cross over	Mylar tape t=0.025mm 2 turns DTS-204F 130°C P2XX 130°C	Duck Sung Tape Co., Ltd Qun Yi Tape(Dong Guan)Co., Ltd.	E105147 E81174
6	Winding	Polyurethane enameled copper wire UEW 130°C THS4-U130 UEW 130°C	Tai-I electric wire & cable Ta-Ya electric wire & cable Feng Ching Metal Corp or others	E85640 E197768 E172395
7	Core	Silicon Steel 0.5mm thickness	Kawasaki core New Nippon seitetsu Co., Ltd	
8	AC terminals	Nickel plated copper (2 EA)	Tung-Jung Co., Ltd Or others	
9	PC board	1.6mm thickness 94V-0 LS-402	Chih Hsien enterprise	E105119
10	Rectifier	1N4002 (1.0A 100V) or better	Master instrument corporation DC components Co., Ltd Goodwork semiconductor Qua-tron electrics industrial	
11	Capacitor	1000uf / 16V 105°C	TEAPO electric Co., Ltd Luminous Town electric Co., Ltd	
12	DC cord	AWG# 24 2-conductors UL2468 VW-1 80°C 300V	Chiang Yu electric Ltd Techpoint electric wire & cable Jhi Wei electric wire & cable Da Quan electronics Ltd Lu Chiang electric wire & cable Dongguan Guneetal electric wire & cable Xin Ya electronics Ltd or others	E205596 E174881 E157717 E237881 E72332-4 E204204 E170689




DESIGNED NO.	YDA-9001-R				
DRAWING NO.	----				
COLOR	----	Changing the Capacitor Temperature from 85°C to 105°C	070821	B	王建龍
MATERIAL	----	Creating new drawing SPEC.	070730	A	王建龍
UNIT	----	DESCRIPTION	DATE	REV.	REVISER
 Global Yeou Diann Electric Industrial Co., Ltd.			Prepared by	Reviewed by	Approved by
			王建龍	劉群芳	戴禎言

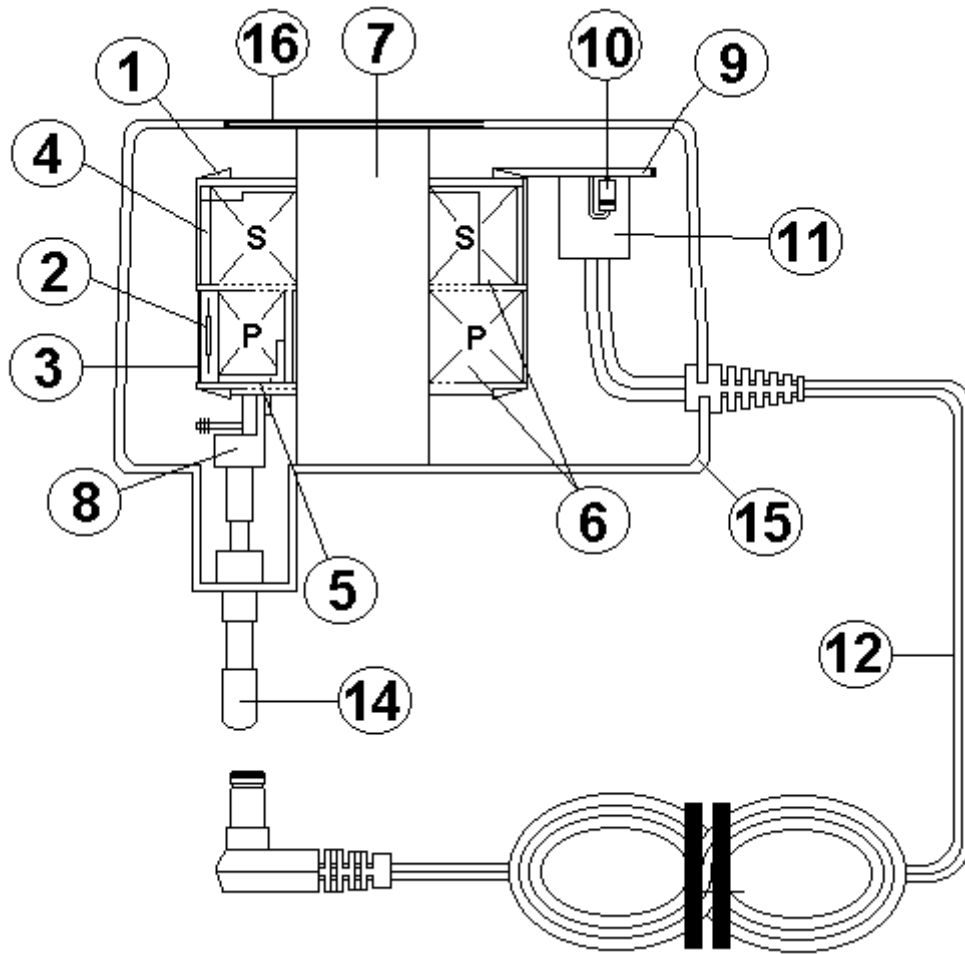
MATERIAL LIST

NO.	COMPONENTS	SPECIFICATION	MANUFACTURER	APPROVAL
13	DC plug	2.1×5.5×9.5 right angle plug (音叉卡溝)	Chiang Yu electric Ltd Speed united electronics corp. Honor image Co., Ltd or others	
14	Blade	Nickel plated copper 4 Ø thickness European type Plastic: Noryl SE-1	GE Plastics Europe Tung-Jung Co., Ltd Or others	E45329
15	Enclosure	Noryl SE-100 UL94V-1 or SE-100P UL94V-1 Color: Black	GE Plastics Americas GE Plastics Japan Ltd	E121562 E45587
16	Nameplate	0.16mm thickness PET	Chang Mao Industrial Ltd or others	



DESIGNED NO.	YDA-9001-R				
DRAWING NO.	----				
COLOR	----	Update specification's revision.	070821	B	王建龍
MATERIAL	----	Creating new drawing SPEC.	070730	A	王建龍
UNIT	----	DESCRIPTION	DATE	REV.	REVISER
 Global Yeou Diann Electric Industrial Co., Ltd.			Prepared by	Reviewed by	Approved by
			王建龍	劉群芳	戴禎言

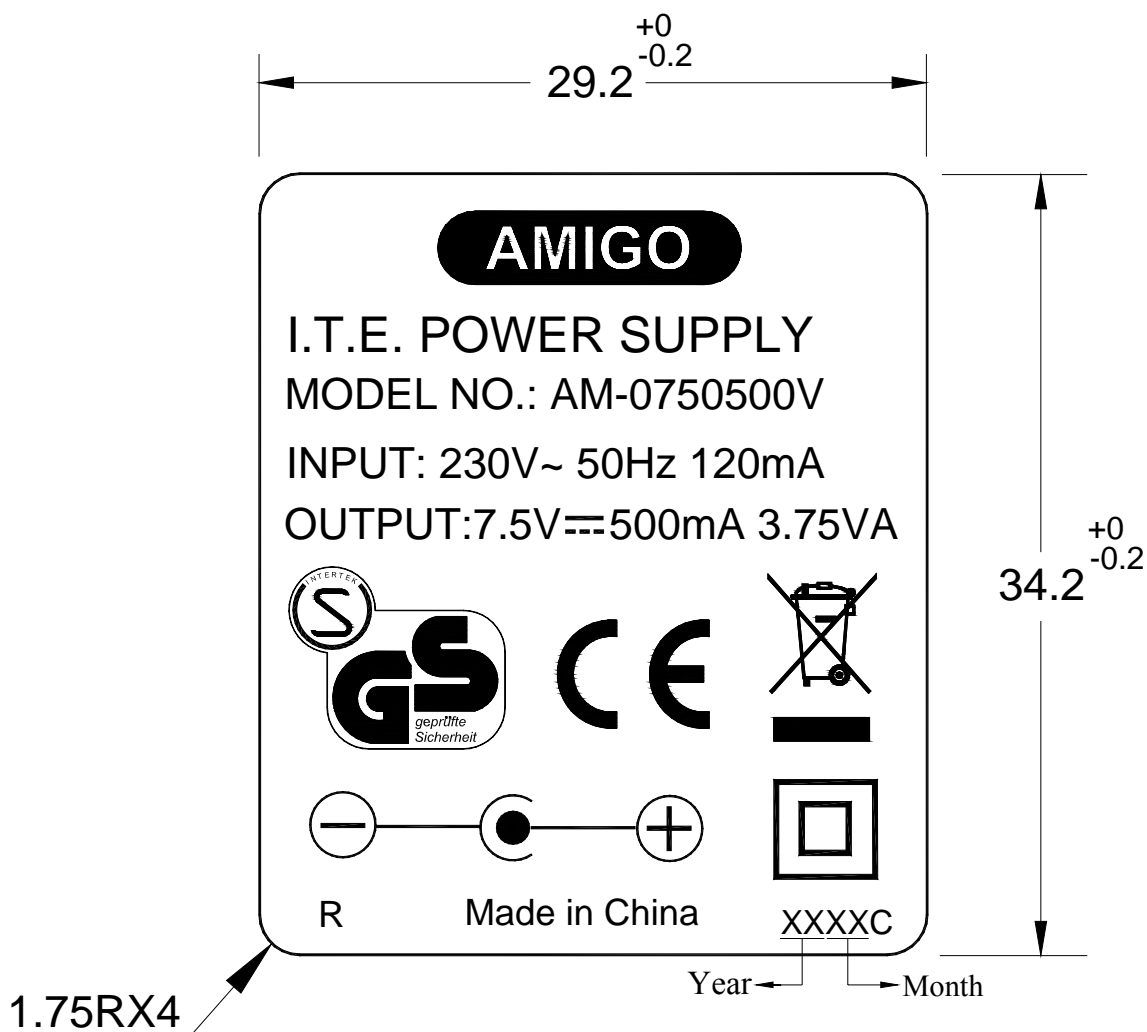
ASSEMBLY



GP 制程 櫃
管制機 櫃
 • 禁用1級測試管理物質
 • 儘可能釐定原物料高等零件


DESIGNED NO.	YDA-9001-R				
DRAWING NO.	----				
COLOR	----	Update specification's revision.	070821	B	王建龍
MATERIAL	----	Creating new drawing SPEC.	070730	A	王建龍
UNIT	----	DESCRIPTION	DATE	REV.	REVISER
Global Yeou Diann Electric Industrial Co., Ltd.			Prepared by	Reviewed by	Approved by
			王建龍	劉群芳	戴禎言

NAMEPLATE

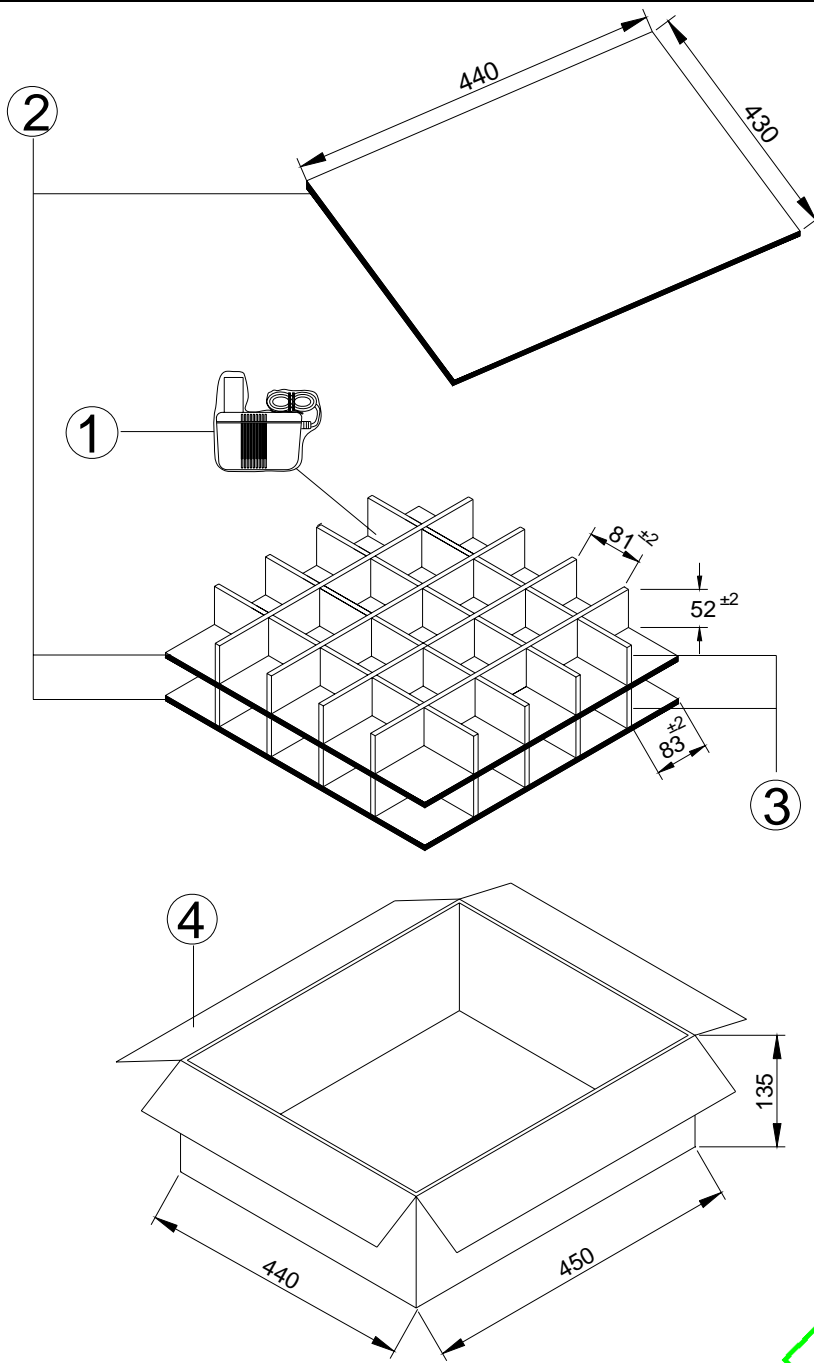


Note: "R" denotes comply with RoHS.
 Background: Black
 Letters: White



DESIGNED NO.	YDA-9001-R				
DRAWING NO.	----				
COLOR	黑底白字	Update specification's revision.	070821	B	王建龍
MATERIAL	0.16t PET	Creating new drawing SPEC.	070730	A	王建龍
UNIT	mm	DESCRIPTION	DATE	REV.	REVISER
 Global Yeou Diann Electric Industrial Co., Ltd.			Prepared by	Reviewed by	Approved by
			王建龍	劉群芳	戴禎言

PACKING



- ① 塑膠袋-----尺寸：〔 15×25cm 0.03t 〕
- ② 上、中、下隔板-----〔3層瓦楞紙〕
- ③ 井字格×2層-----〔3層瓦楞紙〕
- ④ 外箱裝 50 PCS-----〔5 層瓦楞紙〕

GP 制程
管制機櫃
 • 禁用1級環境管理物資
 • 儘可能設定原物料標準零件

未標公差：〔 ±5 〕

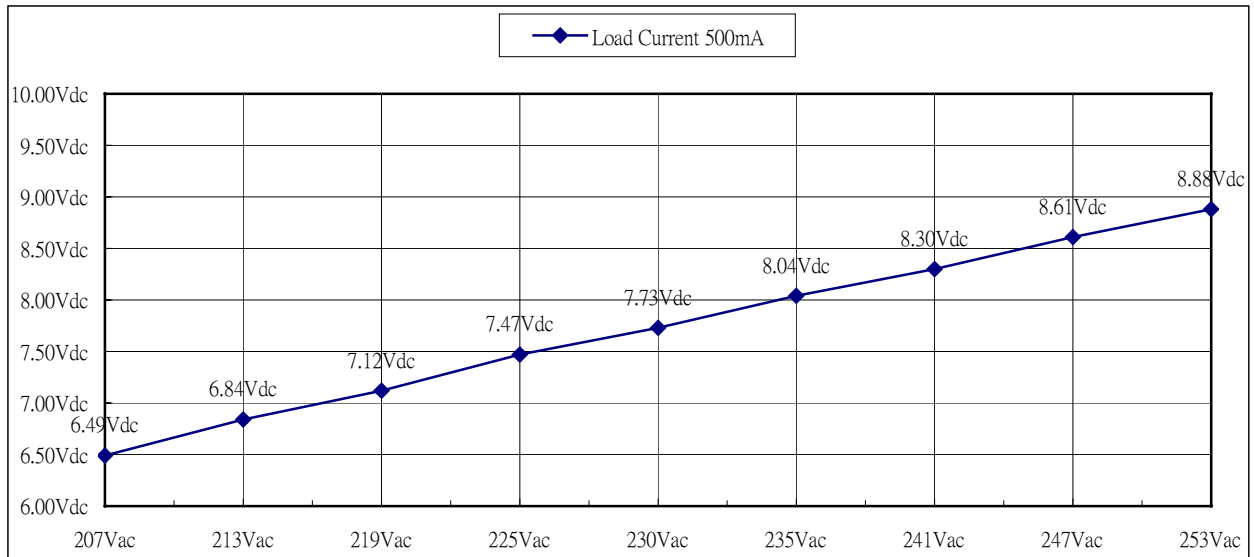
DESIGNED NO.	YDA-9001-R				
DRAWING NO.	----				
COLOR	----	Update specification's revision.	070821	B	王建龍
MATERIAL	----	Creating new drawing SPEC.	070730	A	王建龍
UNIT	mm	DESCRIPTION	DATE	REV.	REVISER
Global Yeou Diann Electric Industrial Co., Ltd.			Prepared by	Reviewed by	Approved by
			王建龍	劉群芳	戴禎言

V-I CURVE

DESIGNED NO.	YDA-9001-R	MODEL NO.	AM-0750500V
CUSTOMER P/N		DATE	070821

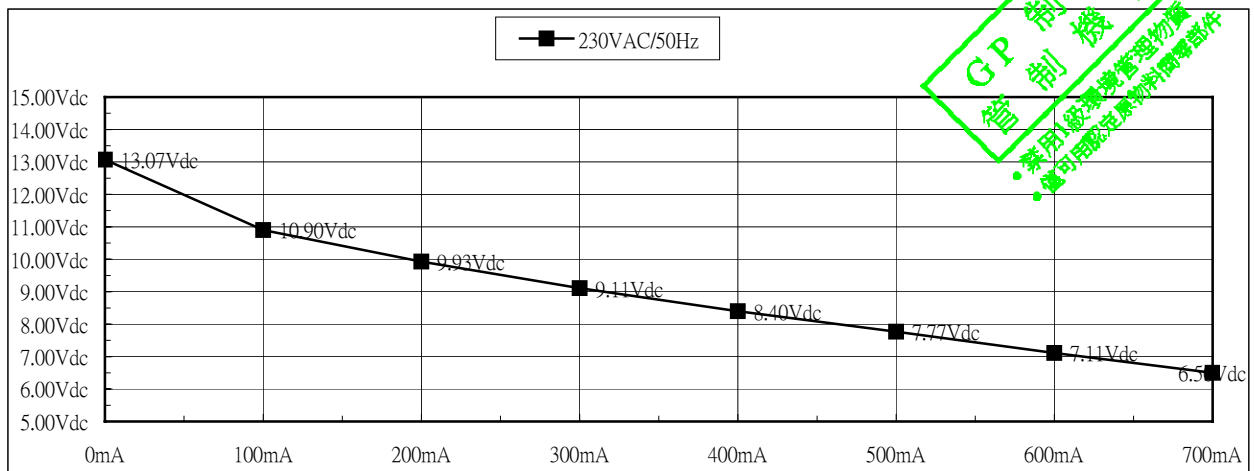
◎ Static input change test

I/P : 207 ~ 253Vac / 50Hz O/P : Load Current 500mA



◎ Static output current test

I/P : 230Vac / 50Hz O/P : Load Current : 0 ~ 700mA



◎ Frequency Change test :

Conditions	Spec.	Frequency Change		
		47Hz	50Hz	53Hz
I/P : 230Vac O/P : 7.5Vdc/500mA	7.5Vdc +/-5%	7.74Vdc	7.74Vdc	7.76Vdc

Global Yeou Diann Electric Industrial Co., Ltd.	Prepared by	Reviewed by	Approved by
	王建龍	劉群芳	戴禎言

CALCULATED MTBF

DESIGNED NO.	YDA-9001-R	MODEL NO.	AM-0750500V
CUSTOMER P/N		DATE	070821

Test Condition:

Input voltage = 230VAC 50Hz

Output load = 500mA

Temperature = 25°C

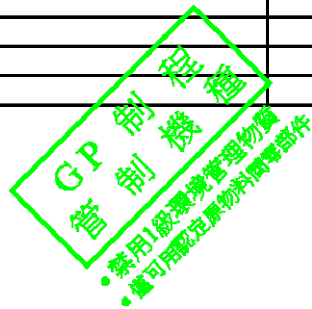
This prediction shall be based on MIL-HDBK-217F Notice 2 or Bellcore Reliability Prediction Method.

Acceptance Criteria:


The power supply shall have a minimum calculated MTBF of 150,000 hours.

FAILURE RATE CALCULATION AS PER MIL-HDBK-217F

MODEL:		I/P: 230V 50Hz O/P: 7.5Vdc 500mA		AM-0750500V			
TOTAL LEGS:				24			
LEGS FAILUE RATE:				0.05496		0.00229x24	
COMPONENT FAILUE RATE:				2.90579208			
TOTAL FAILUE RATE (10^6):				2.96075208			
MEAN TIME BETWEEN FAILUE:				337752.0		Hours	
ITEM No.	COMPONENTS	QTY	DESCRIPTION / VALUE	LEG S	FAILUE RATE	QTY x FAILUE	QTY x LEGS
1	Diode	4	Silicon diode 1N4002 (1.0A 100V)	2	0.0487555	0.1950221	8
	$\lambda p = \lambda b \pi t \pi s \pi c \pi q \pi e$		$\lambda p = 0.0038 \times 7.2 \times 0.054 \times 1 \times 5.5 \times 6 = 0.04875552$				
2	Power transformer	1	EI-41 Type Class A	2	1.116	1.116	2
	$\lambda p = \lambda b \pi q \pi e$		$\lambda p = 0.0062 \times 30 \times 6 = 1.116$				
3	PC board	1	UL 94V-0 t=1.6mm	0	0.03045	0.03045	0
	$\lambda p = \lambda b \pi k \pi r \pi e$		$\lambda p = 0.0015 \times 1 \times 2.9 \times 7 = 0.03045$				
4	Electrolytic capacitor	1	1000uF/16V 105°C	2	0.89232	0.89232	2
	$\lambda p = \lambda b \pi c \nu \pi q \pi e$		$\lambda p = 0.033 \times 1.352 \times 10 \times 2 = 0.89232$				
5	Output connector	1	Coaxial plug 2.1x5.5x9.5	2	0.0336	0.0336	2
	$\lambda p = \lambda b \pi k \pi r \pi e$		$\lambda p = 0.0048 \times 1 \times 1.4 \times 5 = 0.0336$				
6	Thermal fuse	1	115°C 2A 250V	2	0.6384	0.6384	2
	$\lambda p = \lambda b \pi c \pi u \pi c \pi q \pi e$		$\lambda p = 0.038 \times 1 \times 1 \times 8.4 \times 2 = 0.6384$				
Assembly legs							
7	$\lambda p = \lambda b (N(\pi c + 13)) \pi q \pi e$ (each soldering point)		$\lambda p = 0.000041 \times (1 \times (1 + 13)) \times 2 \times 2 = 0.00229$				
8	Input & output cord solder	2		2			4
9	Pri. terminal board solder	1		2			2
10	Sec. Winding solder	1		2			2
TOTAL				14	2.7595255	2.9057921	24



Global Yeou Diann Electric Industrial Co., Ltd.	Prepared by	Prepared by	Approved by
	王建龍	劉群芳	戴禎言

ELECTRICAL TEST DATA							
DESIGNED NO.	YDA-9001-R	MODEL NO.	AM-0750500V				
CUSTOMER P/N		DATE	070821				
Test Items & Conditions		Spec.	1	2	3		
1	Exciting Current (Primary): Vin=230 VAC 50 Hz Iout= 0 mA	70 mA Max.	31	32	35	32	35
2	Rated Current (Primary): Vin=230 VAC 50 Hz Iout=500 mA	80 mA Max.	39	40	41	40	41
3	Output Voltage Without Load: Vin=230 VAC 50 Hz Iout= 0 mA	13.5 VDC Max.	12.99	12.88	12.91	12.85	13.05
4	Output Voltage With Load: Vin=230 VAC 50 Hz Iout=500 mA	7.5 VDC +/-10%	7.77	7.78	7.72	7.76	7.71
5	Power Consumption Without Load: Vin=230 VAC 50 Hz Iout= 0 mA	3.0W Max.	1.5	1.5	1.7	1.5	1.7
6	Power Consumption With Load: Vin=230 VAC 50 Hz Iout=500 mA	8.5W Max.	7.6	7.7	7.7	7.7	7.7
7	Ripple Voltage: Vin=230 VAC 50 Hz Iout=500 mA	1000 mV (rms) Max.	771	760	794	768	802
8	Hi-Pot Test: 3.0KVac for 1 minute. Trip: 1mA	AC blade to O/P plug	OK	OK	OK	OK	OK
		AC blade to case	OK	OK	OK	OK	OK
9	Insulation Resistance: 500VDC 100MΩ or more		OK	OK	OK	OK	OK
10	Unusual Operation Test: Apply input voltage <u>230VAC 50Hz</u> and short between plus and minus poles of output plug. After primary or secondary circuit is disconnected or operation for 7 hours, each item shall be satisfied.	Temperature of primary coils: 165°C Max.			130.6	Cut-off time:	OK
		Temperature of secondary coils: 165°C Max.			136.7	7'46"	OK
		Temperature of case: 100°C Max. and no ignition or smoke.			48.0	/	OK
		Hi-pot test: 3.6KVac for 1 sec. Trip current: 1mA			OK	/	OK
		Insulation resistance 500VDC 20MΩ or more.			100 MΩ	/	OK
			Prepared by	Reviewed by	Approved by		
 Global Yeou Diann Electric Industrial Co., Ltd.			王建龍	劉群芳	戴禎言		



TEMPERATURE RISE TEST DATA

Test Condition:

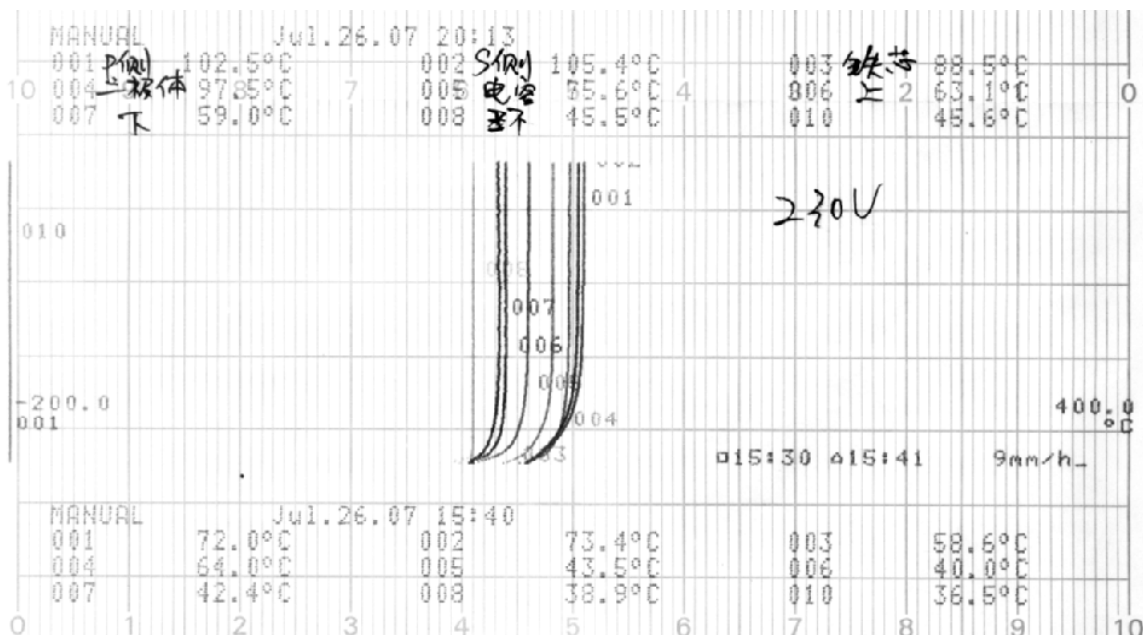
Input voltage = 230VAC 50Hz

Output load = 500 mA


Ambient temperature = 45°C

Parts	Spec	Temp. (°C)	ΔT(K)
Ambient temp	45°C	45.5	/
PRI. Winding	65K Max.	102.5	57.0
SEC. Winding	65K Max.	105.4	59.9
Core	60K Max.	88.5	43.0
Diode	105K Max.	97.5	52.0
Capacitor	85°C Max.	75.6	30.1
Case (上)	40K Max.	63.1	17.6
Case (下)	40K Max.	59.0	13.5

CURVE:



GP 制程
管制機
 • 禁用1級機殼管理物質
 • 儘可能指定原物料商標零件

 Global Yeou Diann Electric Industrial Co., Ltd.	Prepared by	Reviewed by	Approved by
	王建龍	劉群芳	戴禎言

TEMPERATURE RISE TEST DATA

Test Condition:

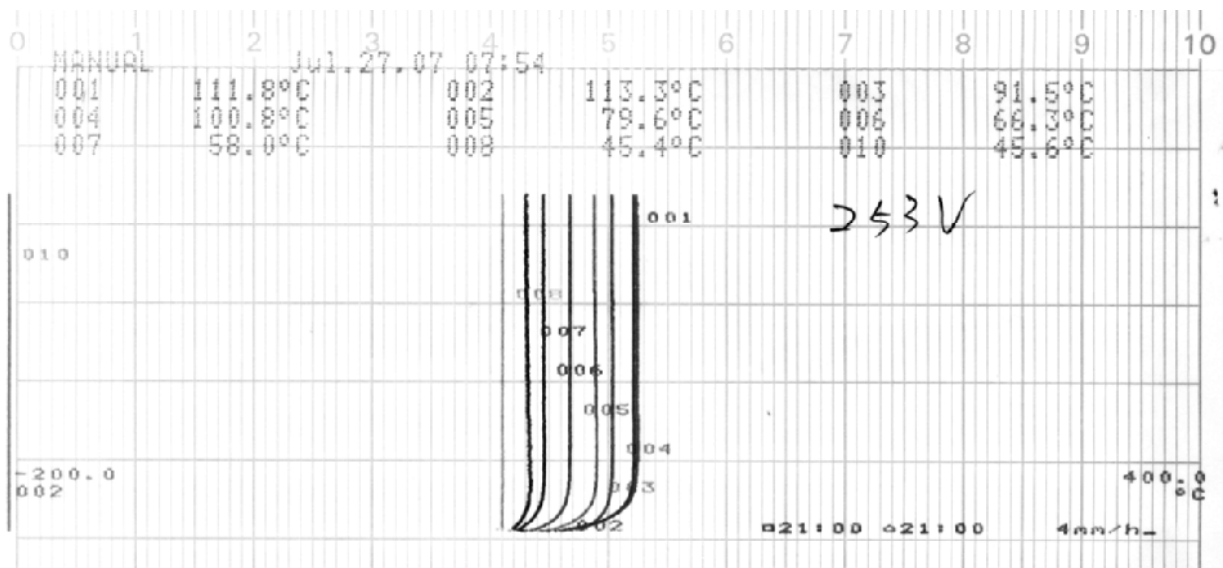
Input voltage = (230VAC +10%)253VAC 50Hz

Output load = 500 mA

Ambient temperature = 45°C

Parts	Spec	Temp. (°C)	ΔT(K)
Ambient temp	45°C	45.4	/
PRI. Winding	65K Max.	111.8	/
SEC. Winding	65K Max.	113.3	/
Core	60K Max.	91.5	/
Diode	105K Max.	100.8	/
Capacitor	85°C Max.	79.6	/
Case (上)	40K Max.	66.3	/
Case (下)	40K Max.	58.0	/

CURVE:




GP 制程 管制機
 • 禁用1級機殼管理物質
 • 儘可能固定原物料與零件

Global Yeou Diann Electric Industrial Co., Ltd.	Prepared by	Reviewed by	Approved by
	王建龍	劉群芳	戴禎言

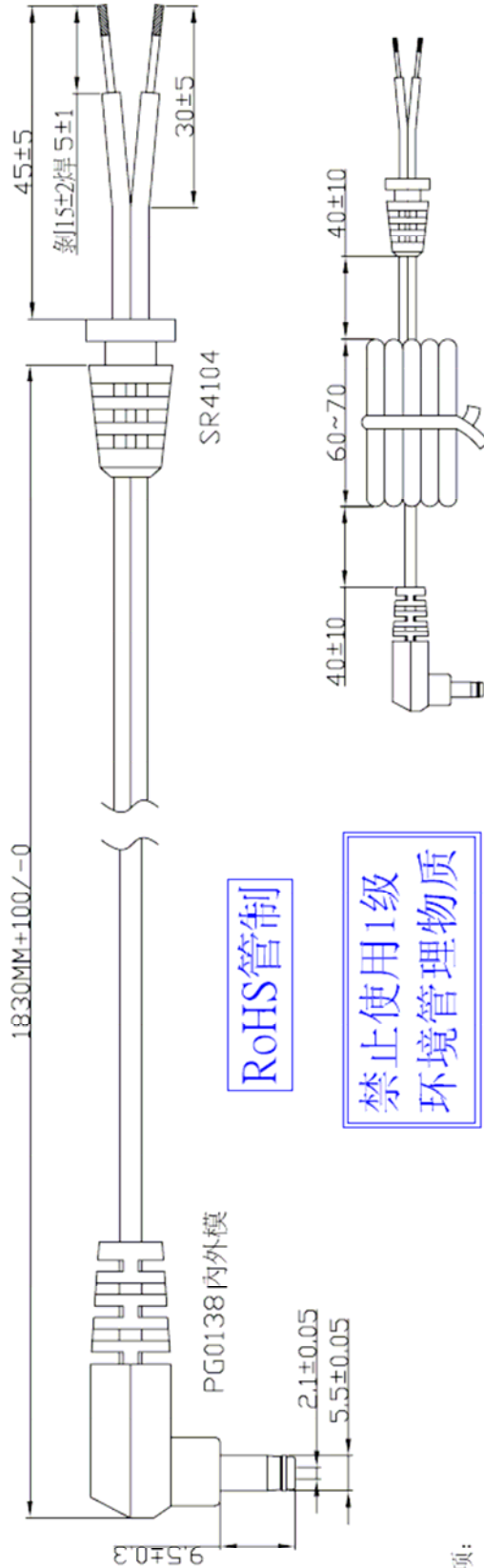
MECHANICAL & ENDURANCE TEST DATA

DESIGNED NO.		YDA-9001-R	MODEL NO.		AM-0750500V		
CUSTOMER P/N			DATE		070821		
Test Items & Conditions			Spec.	Sampling	1	2	3
1	Cord Bend Test: Weight=500g Angle(θ)=+/-60 degrees Cycles=300 Speed (cycles per minute)=30 times/minute Case to DC cord		Without damage to The insulator.	2 PCS	OK	OK	
2	Tensile strength of the cord: A static load of 20lb shall be applied and sustained for 60 seconds.		Excessive load shall not be applied to the contacts and the bushing shall not be detached.	2 PCS	OK	OK	
3	Drop test: Products shall be dropped from a height of <u>1000+/-10</u> mm onto a wood surface, it's thickness is <u>5.5</u> cm, free fall test, <u>3</u> times, after shall functions normally and the enclosure shall not open in safety concern part.		Case shall not be broken.	3 PCS	OK	OK	OK
			Gap less than 0.5mm		OK	OK	OK
			Output voltage shall be kept within Spec.		OK	OK	OK
4	Damp Heat: The unit shall be stored at a temperature of 40°C +/-2°C and a humidity range of 90% to 95% for 48 hours. Then condensed water on the specimen shall be removed and stored at a standard atmospheric conditions for 30 minute for recovery. After which measurement shall be made.		Dielectric strength 3.6KVac for 1 sec. Trip current: 1mA	1 PCS	OK		
			Insulation resistance 500VDC 100M Ω or more		250 M Ω		



 Global Yeou Diann Electric Industrial Co., Ltd.	Prepared by	Reviewed by	Approved by
	王建龍	劉群芳	戴禎言

记号	变更记录	日期	作成
1~3	06/1/14	王輝
4	頭部增加內模	06/1/14	王輝



- 注意事项:
1. 印白條接內極。(內正外負)
 2. 頭部用PG0134內模

序号	名称	规格
6	銅絲/錫條	無鉛錫 D9930C (安臣) 低毒
5	扎帶	PET 100mm 黑色無鐵芯 低毒
4	线材	UL 2468#24 OD:1.8*3.6 黑印白條 L=1920MM 低毒
3	SR	PVC 40-60P 黑色 低毒
2	PLUG	PVC 40P 黑色 低毒
1	端子	Φ5.5*2.1*19.5±0.2 音叉叉溝 黑色絕緣 低毒

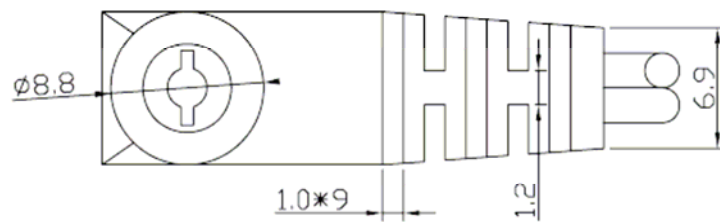
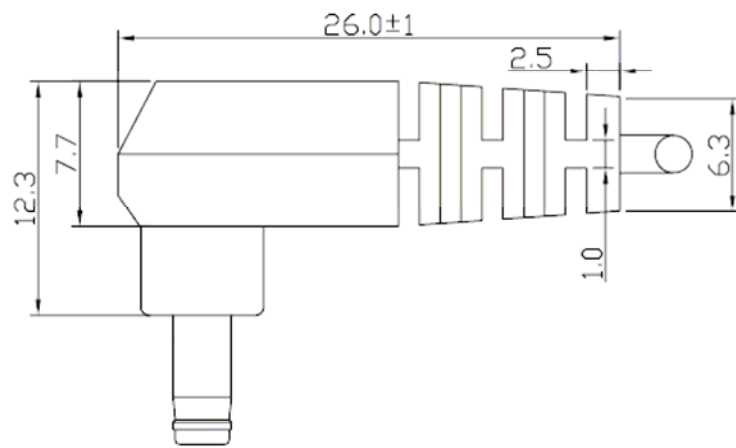
GP 制程檢
 禁用1級環境管理物質
 專用設備管理設備

特性要求

绝缘抵抗	DC300V 3MΩ 以上
引张强度	20LB 1分钟未脱落
弯曲强度	500g 60度 30次/分钟 300次

文件名称	成品图		客户	女電
核准	校对	制作	客户料号	18-996-R
	吴影	周霞	版本	日期
			比例	2006/10/5
			单位	mm
			客户料号	18-996-R
			品名规格	DC CORD
			成品编号	HMD-16-438
			版本	第4版
			比例	2006/10/5
			单位	mm
			客户	豪铭电子制品厂
				HONOR IMAGE CO.,LTD.

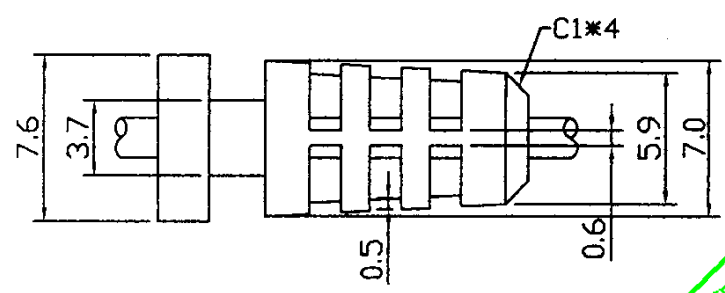
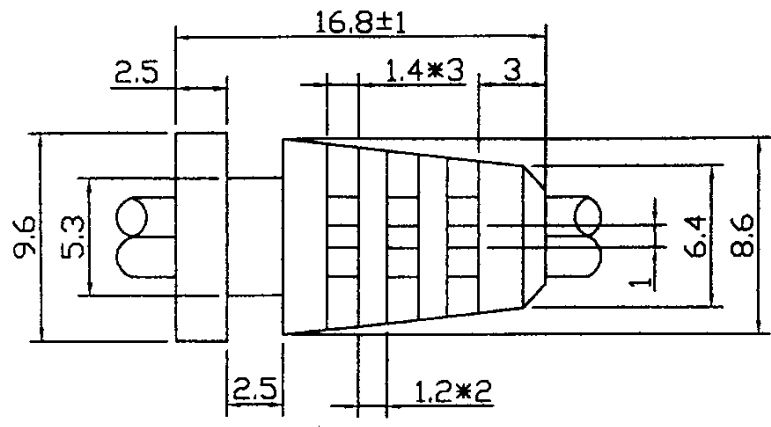
編號	變更記錄	日期	作成



GP 制程櫃
管制機櫃
 • 禁用1級環境管理物置
 • 僅可用認定廠物料與零件


品名	PLUG	編號	PG0138	電級編號	03-313	豪銘電子制品廠 HONOR IMAGE CO.LTD		
單位	mm	比例		角法				
尺寸範圍	0~1	~5	~15	~30	30~	核准	確認	制圖
公差	±0.1	±0.2	±0.3	±0.4	±0.5	吳影	吳影	周霞
圖號		版本	第0版	日期	07-6-22			

记号	变更记录	日期	作成



1. 未标示公差: ± 0.5
2. 适应线径: 1.8*3.6

GP 制程
 管制機櫃
 • 禁用1級環境管理物質
 • 儘可能配定原物料與零件

版本	0	单位	mm	STRAIN RELIEF	模具编号	SR4104
豪銘電子制品廠				作成	审核	核准
				肖 蘭		

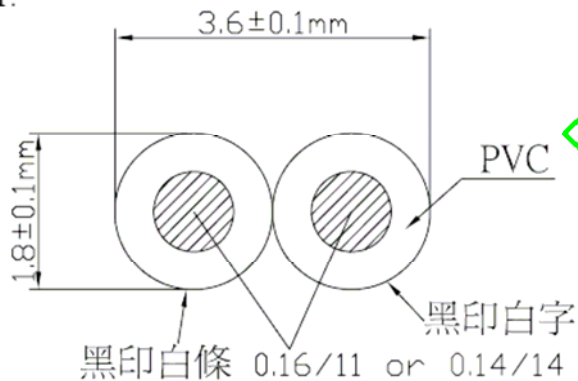
SPECIFICATION

規 格 書

STYLE		品 名	2468
SIZE		規 格	24AWG
STANDAR		標 準	UL 758 1581
C O N D U C T O R	導 體	SIZE 規 格	24AWG
		MATERIAL 材 質	AS
		CONSTRUCTION 結 構	11/0.16mm or 14/0.14mm
		CAV OF STRANDS 絞 距	0.7 inch
I N S U L A T I O N	絕 體	MATERIAL 材 質	PVC
		AVG THICK 平均絕緣厚度	0.38 mm
		MIN THICK BEFORE SEPA 最小絕緣厚度	0.33 mm
		MIN THICK AFTER SEPA 撕裂后最小絕緣厚度	/
		COLOR 顏 色	Black
OVERALL DIAMETER		完成外徑	1.8*3.6±0.1 mm
MARKING		標 示	UL AWM 2468 VW-1 80°C 24AWG×2C E174881 TECHPOINT 300V CSA TYPE IA/B FT1 AWM 80°C 24AWG×2C LL109448

CONSTRUCTION CHART:

簡 圖



GP 制程櫃
 管 制 機 櫃
 • 採用I級環境管理物質
 • 儘可能使用原物料與零件

SPECIFICATION

規 格 書

STYLE		品 名	2468
SIZE		規 格	24AWG
STANDAR		標 準	UL 758 1581
C O N D U C T O R	導 體	SIZE 規 格	24AWG
		MATERIAL 材 質	AS
		CONSTRUCTION 結 構	14/0.14mm
		CAV OF STRANDS 絞 距	0.7 inch
I N S U L A T I O N	絕 緣 體	MATERIAL 材 質	PVC
		AVG THICK 平均絕緣厚度	0.38 mm
		MIN THICK BEFORE SEPA 最小絕緣厚度	0.33 mm
		MIN THICK AFTER SEPA 撕裂后最小絕緣厚度	/
		COLOR 顏 色	BLACK
OVERALL DIAMETER		完成外徑	1.8*3.6±0.1 mm
MARKING		標 示	AWM 2468 VW-1 80°C 300V E157717 24AWG*2C JHI WEI CSA AWM LL101497 80°C 300V 24AWG*2C FT1
CONSTRUCTION CHART: 筒 圖			



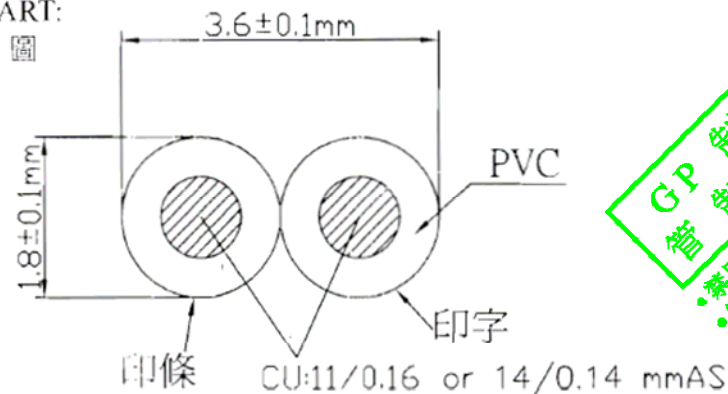
SPECIFICATION

規 格 書

STYLE	品 名	2468	
SIZE	規 格	24AWG	
STANDAR	標 準	UL 758 1581	
C O N D U C T O R	導 體	SIZE 規 格	24AWG
		MATERIAL 材 質	AS
		CONSTRUCTION 結 構	14/0.14 or 11/0.16mm
		CAV OF STRANDS 絞 距	S 17
I N S U L A T I O N	絕 緣 體	MATERIAL 材 質	PVC
		AVG THICK 平均絕緣厚度	0.59 mm
		MIN THICK BEFORE SEPA 最小絕緣厚度	0.48 mm
		MIN THICK AFTER SEPA 撕裂后最小絕緣厚度	/
		COLOR 顏 色	BLACK
OVERALL DIAMETER	完成外徑	1.8*3.6±0.1 mm	
MARKING	標 示	E237881 UL AWM 2468 VW-1 80°C 300V 24AWG*2C CUL TYPE AWM I A FTI 80°C 300V 24AWG*2C -LF- DAQUAN	

CONSTRUCTION CHART:

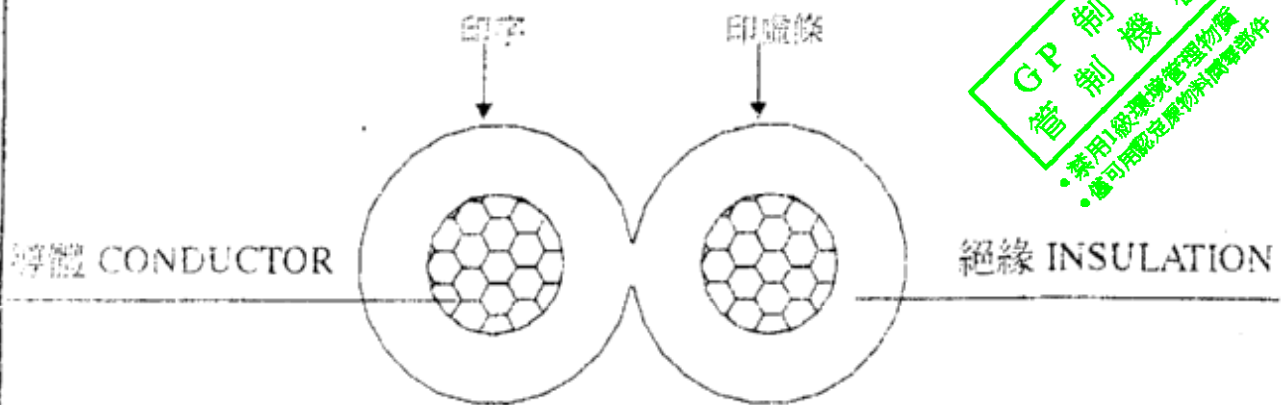
筒



SPECIFICATION 规格书

STYLE		品 名	2468
SIZE		规 格	24AWG
STANDARD		标 准	E72332-4
C O N D U C T O R	导 体	SIZE 规 格	24 AWG
		MATERIAL 材 质	AS
		CONSTRUCTION 结 构	20/0.12/0.113+500D丝棉
		LAY OF STRANDS 绞 距	15MM以下
I N S U L A T I O N	绝 体	MATERIAL 材 质	PVC
		AVG THICK 平均绝缘厚度	0.38
		MIN THICK BEFORE SEPA 最小绝缘厚度	0.33
		MIN THICK AFTER SEPA 撕开后最小绝缘厚度	
		COLOR 颜 色	黑色
OVERALL DIAMETER		完成外径	1.8±0.1*3.6±0.1MM
MARKING		标示	2468 E72332-4 JV AWM 24AWGX2C VW-1 80 °C 300V UNICAB AWM I A 24AWGX2C FTI 80°C 300V -F- LM

CONSTRUCTION CHART:
简 图



GP 制程種
管 制 機 種

• 採用1級環境管理物質
• 儘可能降低廢棄物與有害物質

SPECIFICATION

规格书

STYLE		品 名	2468
SIZE		规 格	24AWG
STANDARD		标 准	E170689
C O N D U C T O R	导 体	SIZE 规 格	24 AWG
		MATERIAL 材 质	AS
		CONSTRUCTION 结 构	14/0.14±0.007MM
		LAY OF STRANDS 绞 距	15以下
I N S U L A T I O N	绝 缘 体	MATERIAL 材 质	PVC
		AVG THICK 平均绝缘厚度	0.6
		MIN THICK BEFORE SEPA 最小绝缘厚度	
		MIN THICK AFTER SEPA 撕开后最小绝缘厚度	
		COLOR 颜 色	黑色
OVERALL DIAMETER		完成外径	1.8±0.05*3.6±0.10
MARKING		标示	兄 AWM 2468 E170689 VW-1 80℃ 300V 24AWG XINYA-D CSA AWM I A LL109915 FTI 80℃ 300V 24AWG-F-LM

CONSTRUCTION CHART:
简 图

CONDUCTOR

INSULATION

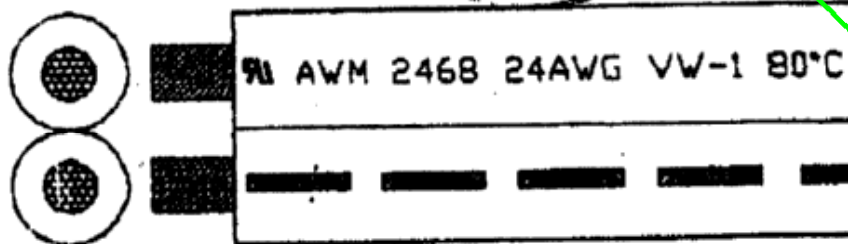


SPECIFICATION

规格书

STYLE		品 名	2468
SIZE		规 格	24AWG
STANDARD		标 准	UL 758, UL 1581
C O N D U C T O R	导 体	SIZE 规 格	24 AWG
		MATERIAL 材 质	AS
		CONSTRUCTION 结 构	14/0.14±0.003MM
		LAY OF STRANDS 绞 距	15MM以下
I N S U L A T I O N	绝 缘 体	MATERIAL 材 质	PVC
		AVG THICK 平均绝缘厚度	0.45MM
		MIN THICK BEFORE SEPA 最小绝缘厚度	0.36MM
		MIN THICK AFTER SEPA 撕开后最小绝缘厚度	/
		COLOR 颜 色	黑色
OVERALL DIAMETER		完成外径	1.8±0.05*3.60±0.10MM
MARKING		标示	SV AWM 2468 24AWG VW-1 80°C 300V E204204 GUNEETAL CSA AWM I A FT1 80°C 300V 24AWG LL116085 - F- LF

CONSTRUCTION CHART:



GP 制程
 管制機
 禁用品級檢驗管理
 儘可能設定原物料檢驗條件

UL Online Certifications Directory

AVLV2.E237881 Appliance Wiring Material - Component

Page Bottom

Appliance Wiring Material - Component

See [General Information for Appliance Wiring Material - Component](#)

DA QUAN ELECTRONICS LTD
HUAI DE DISTRICT
DONGGUAN
GUANGDONG 523926, CHINA

E237881

Table of Recognized Styles						
Single-conductor, thermoplastic insulation.						
1007	1010	1015	1316	1430	1431	1569
Multiple-conductor, thermoplastic insulation.						
2468						

Marking: Company name, voltage rating, temperature rating, conductor size, conductor material if other than copper, and use.

LOOK FOR THE RECOGNITION MARK See [General Information Preceding These Recognitions](#)

For use only with equipment where the acceptability of the combination is determined by Underwriters Laboratories Inc.

Last Updated on 2004-05-22

[Questions?](#)

[Notice of Disclaimer](#)

[Page Top](#)

Copyright © 2005 Underwriters Laboratories Inc.®

The appearance of a company's name or product in this database does not in itself assure that products so identified have been manufactured under UL's Follow-Up Service. Only those products bearing the UL Mark should be considered to be Listed and covered under UL's Follow-Up Service. Always look for the Mark on the product.

UL permits the reproduction of the material contained in the Online Certification Directory subject to the following conditions: 1. The Guide Information, Designs and/or Listings (files) must be presented in their entirety and in a non-misleading manner, without any manipulation of the data (or drawings). 2. The statement "Reprinted from the Online Certifications Directory with permission from Underwriters Laboratories Inc." must appear adjacent to the extracted material. In addition, the reprinted material must include a copyright notice in the following format: "Copyright © 2005 Underwriters Laboratories Inc.®"

An independent organization working for a safer world with integrity, precision and knowledge.



Prüfbescheinigung nach dem Geräte- und Produktsicherheitsgesetz
 Test Certificate in Compliance with the equipment and product safety law

Bescheinigungs-Nr.: **05TWO0243-01**
 (Certificate no.)

Bescheinigungsinhaber: **Global Yeou Diann Electric Industrial Co., Ltd.**
 (Certificate Holder) **2F, No. 30, Sindu Rd., Cianjhen District
 Kaohsiung
 Taiwan**

Fertigungsstätte: **Yeou Diann Electric Industrial Co., Ltd.**
 (Manufacturing Site) **Yun-Mao-Tsun, San Xiang Chung San
 Guangdong
 China**

Produkt: **Steckernetzteil für Büromaschinen**
 (Product) **Power supply (direct plug-in) for business machine**

Typbezeichnung (Type): **AM-*******
" * " 1-3 steht für die Ausgangsspannung, 015 (1.5 VDC) bis 480 (48.0 VDC).
" * " 1-3 steht für den Ausgangsstrom, 0050 (50 mA) bis 1500 (1500 mA).
Der letzte " * " steht für den Steckertyp, " V " oder " B "
„ V " entspricht EN 50075 und IEC 60083, „ B " entspricht BS 1363

The 1st to 3rd " * " denotes the output voltage, 015 (1.5 VDC) to 480 (48.0 VDC).
 The 4th to 7th " * " denotes the output current, 0050 (50 mA) to 1500 (1500 mA).
 The last " * " denotes the different integral plug, " V " or " B ".
 " V " comply with EN 50075 and IEC 60083; " B " comply with BS 1363;

Markenname: **AMIGO**
 (Brandname)

Beschreibung: **Eingang (input) : 220-240VAC, 50Hz, 120mA**
 (Description) **Ausgang (output) : 1.5- 48VDC, 50-1500mA, max. 8VA**
Schutzklasse (Class) II, IP20

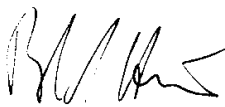
Prüfbericht Nr.: **DE-04133 : 2005-01-27**
 (Test report no.)

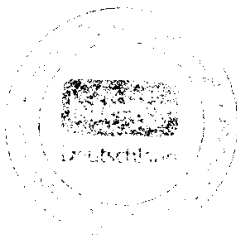
Geprüft nach: **EN 60950-1:2001**
 (Tested according to)

Gültig bis (valid until): **2010-03-22**

Erstellt am (issued on): **2005-03-22**




 Intertek Deutschland GmbH
 Dipl.-Ing. Roland Heine



Dem Zertifikat liegen die Allgemeinen Geschäftsbedingungen der Intertek Deutschland GmbH zu Grunde. Bitte beachten Sie die umseitigen Hinweise.
 The General Business Conditions of Intertek Deutschland GmbH is an integral part of this certificate. Please also refer to the information overleaf.

Intertek Deutschland GmbH, Nikolaus-Otto-Str. 13, 70771 Leinfelden-Echterdingen

Sitz: Leinfelden-Echterdingen, Registergericht Nürtingen, HRB Nr. 5262, Geschäftsführer: Jörg-Timm Kilisch, Gösta Fredriksson
 Tel.: +49 711 27311-0, Fax: +49 711 27311-559, E-Mail: gs@intertek.com, web: www.etlsemko.de

Rev. 10/07/04